

AUTO-HAK Sp. z o.o.

ul. Słoneczna 16K 76-200 SŁUPSK
POLAND

tel/fax +48 59 8 414 414; +48 59 8 414 413

e-mail: office@autohak.com.pl

www.autohak.com.pl



AUTO-HAK

BMW 2 ACTIVE TOURER (F45)
09.2014 →

BMW 2 GRAN TOURER (F46)
03.2015 →

Cat. no:

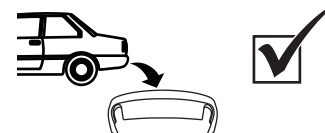
B27A

E20 E20-55R-01 5080



2h

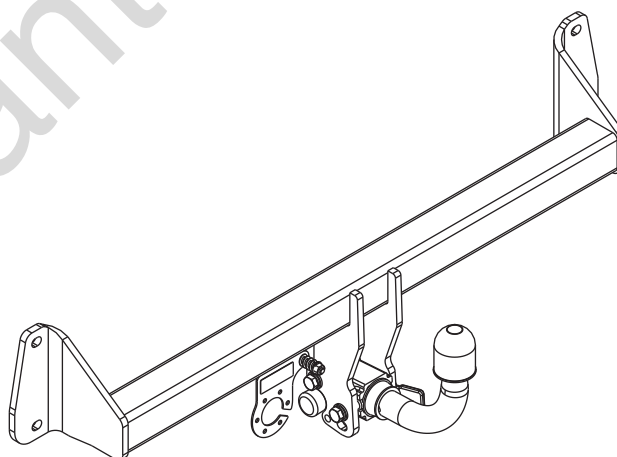
D 10,40 kN



R=1600 kg



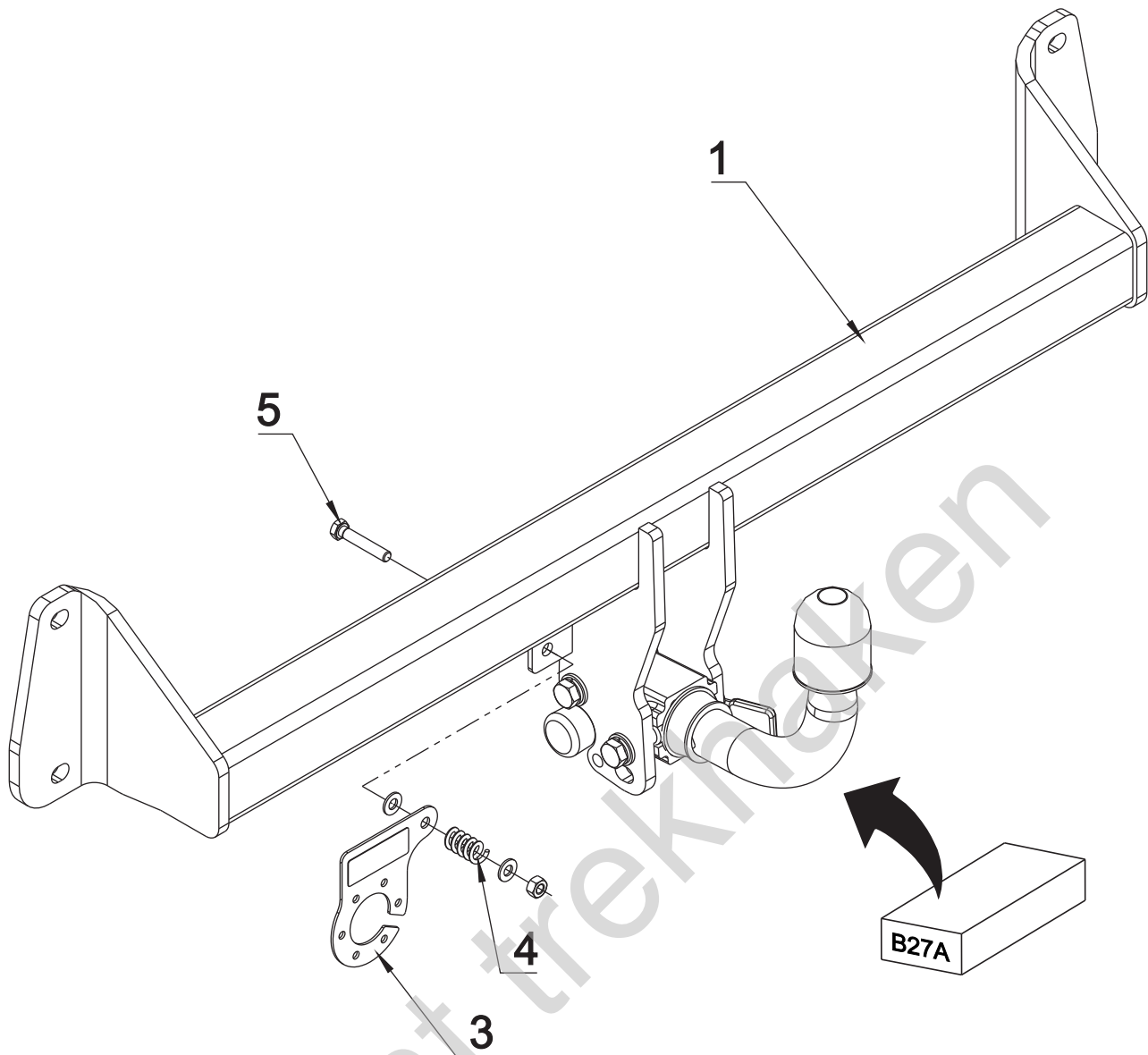
S=80 kg

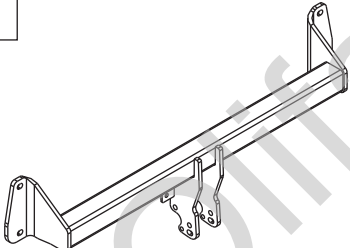


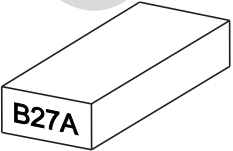

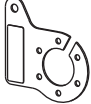



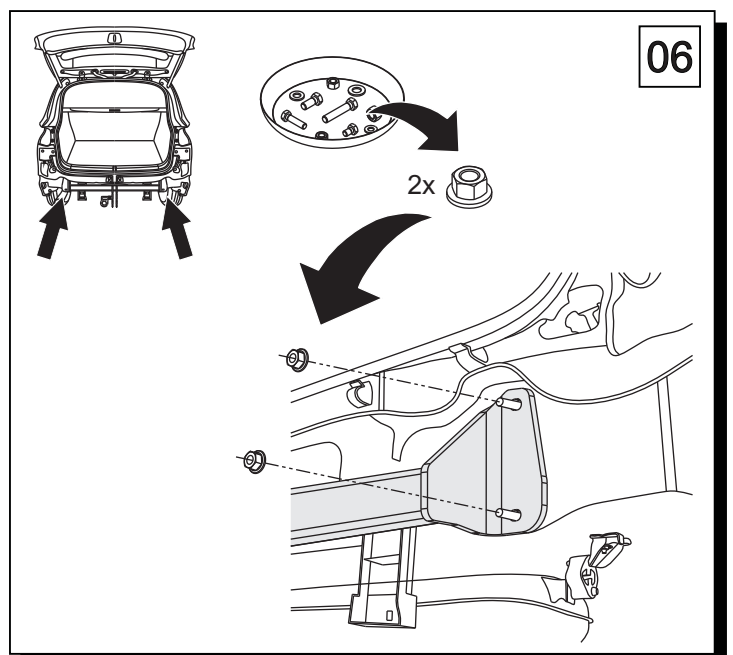
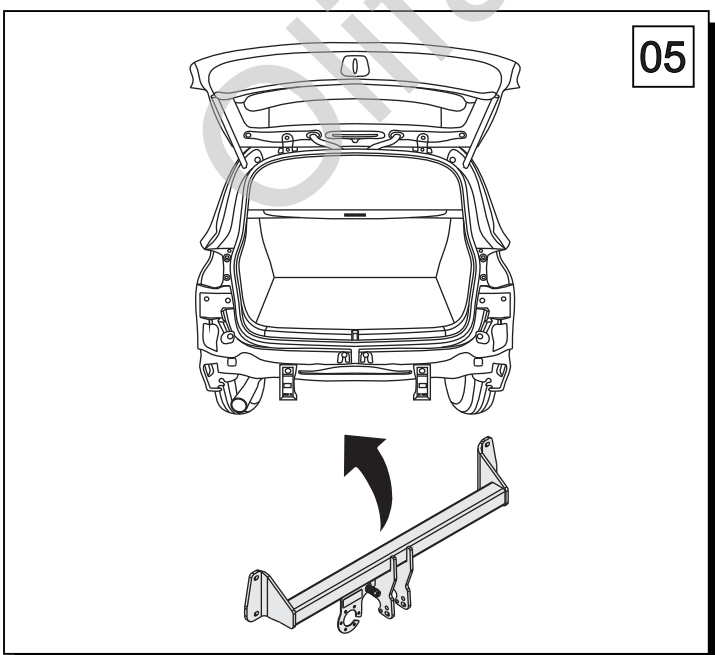
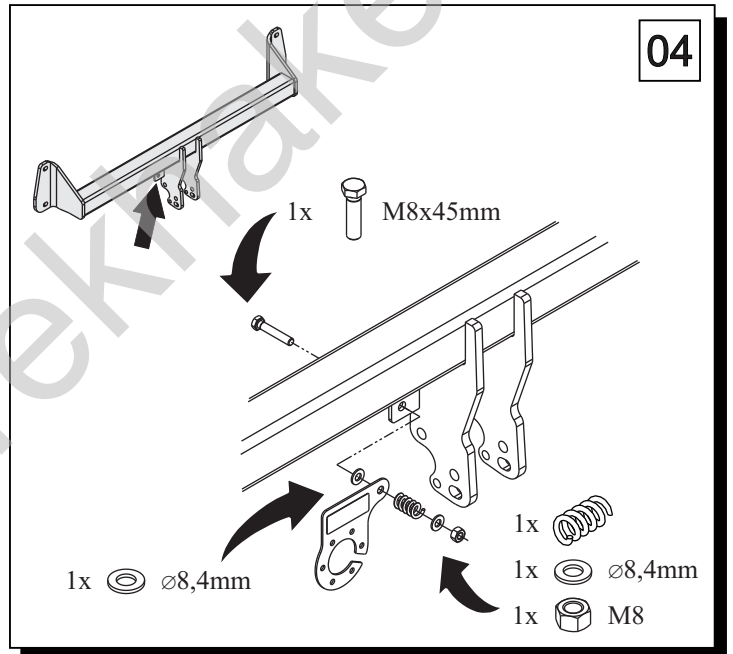
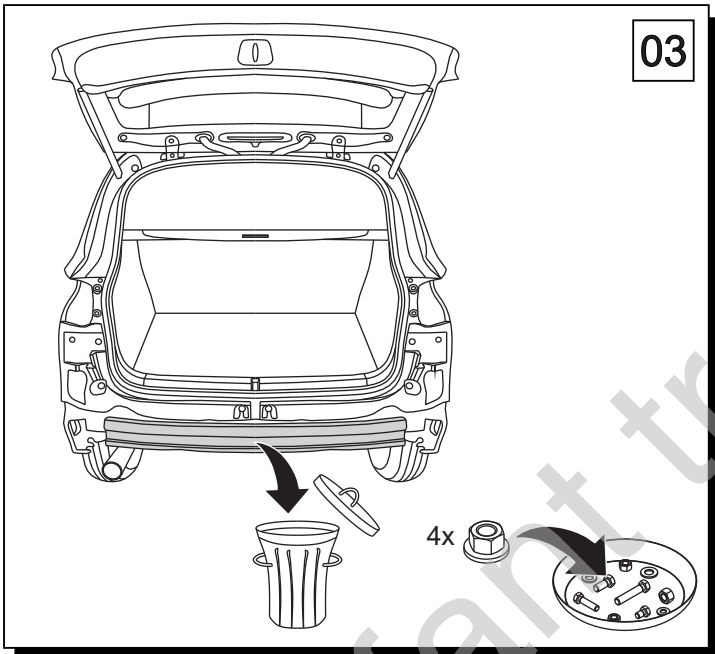
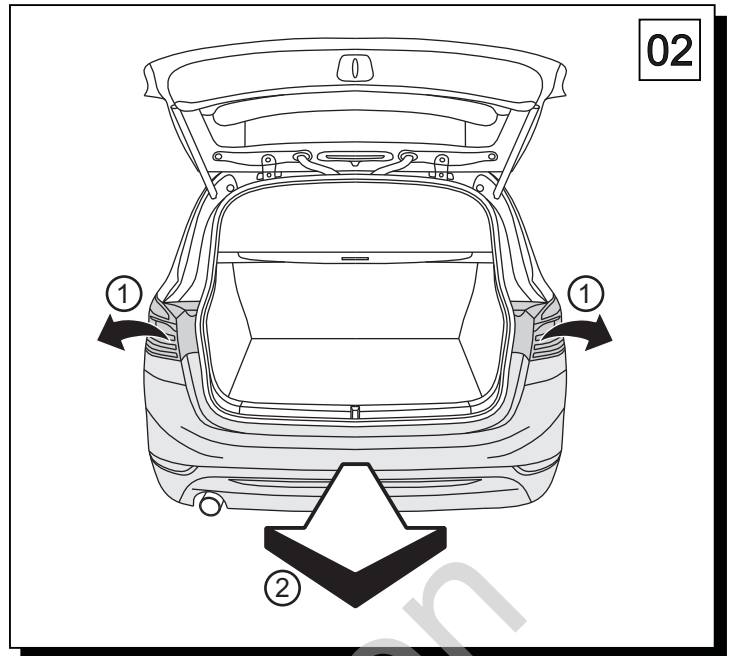
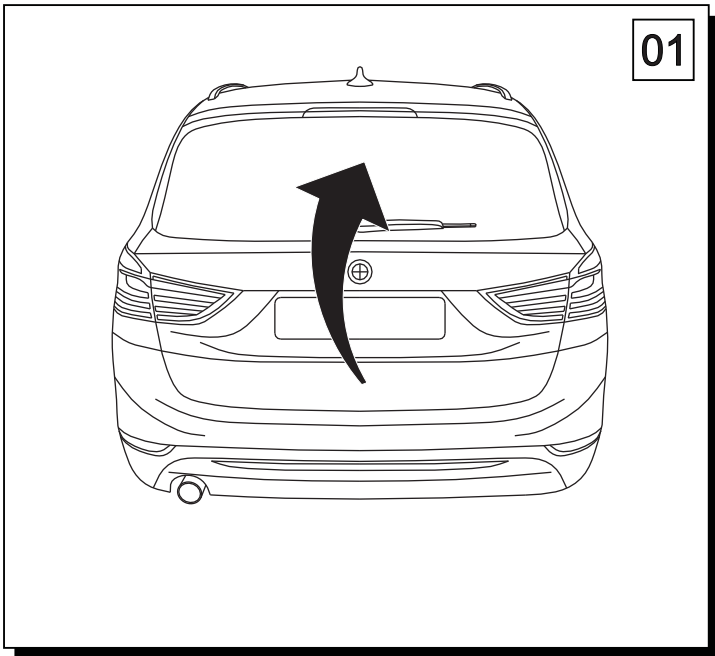
M6 - 8,5 Nm
M10 - 41 Nm
M14 - 112 Nm

M8 - 20 Nm
M12 - 70 Nm
M16 - 170 Nm

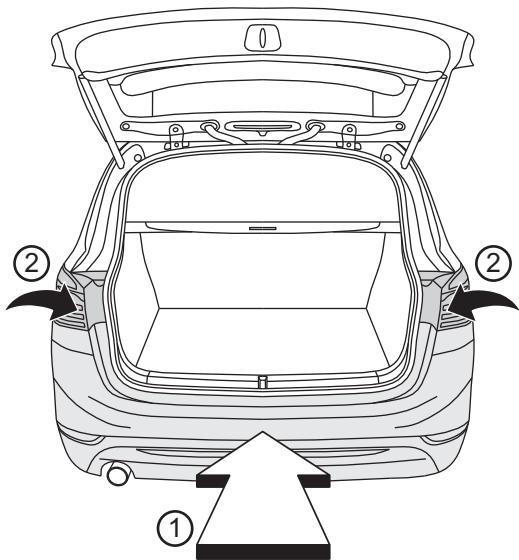
0 km → **1000 km**



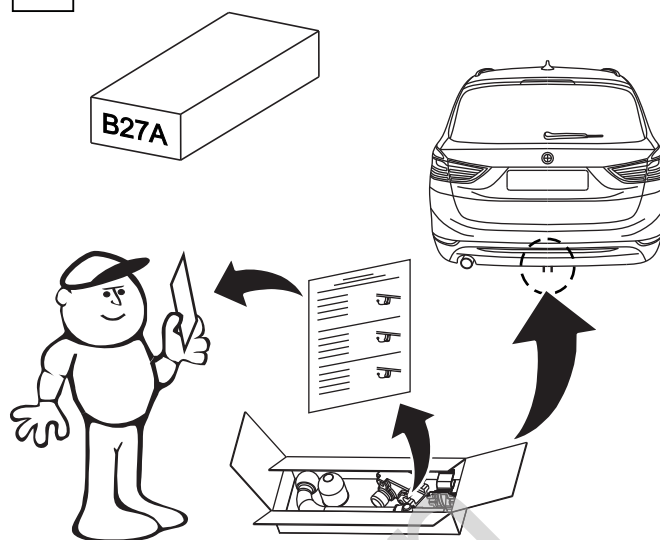
	x 1		5 M 8x45	x 1
			6 \varnothing 8.5	x 2
	x 1		7 M 8	x 1
	Art.nr-KL1B27A		x 1	Art.nr-BL1B27A
	x 1			



07



08



Olifant trekhaker